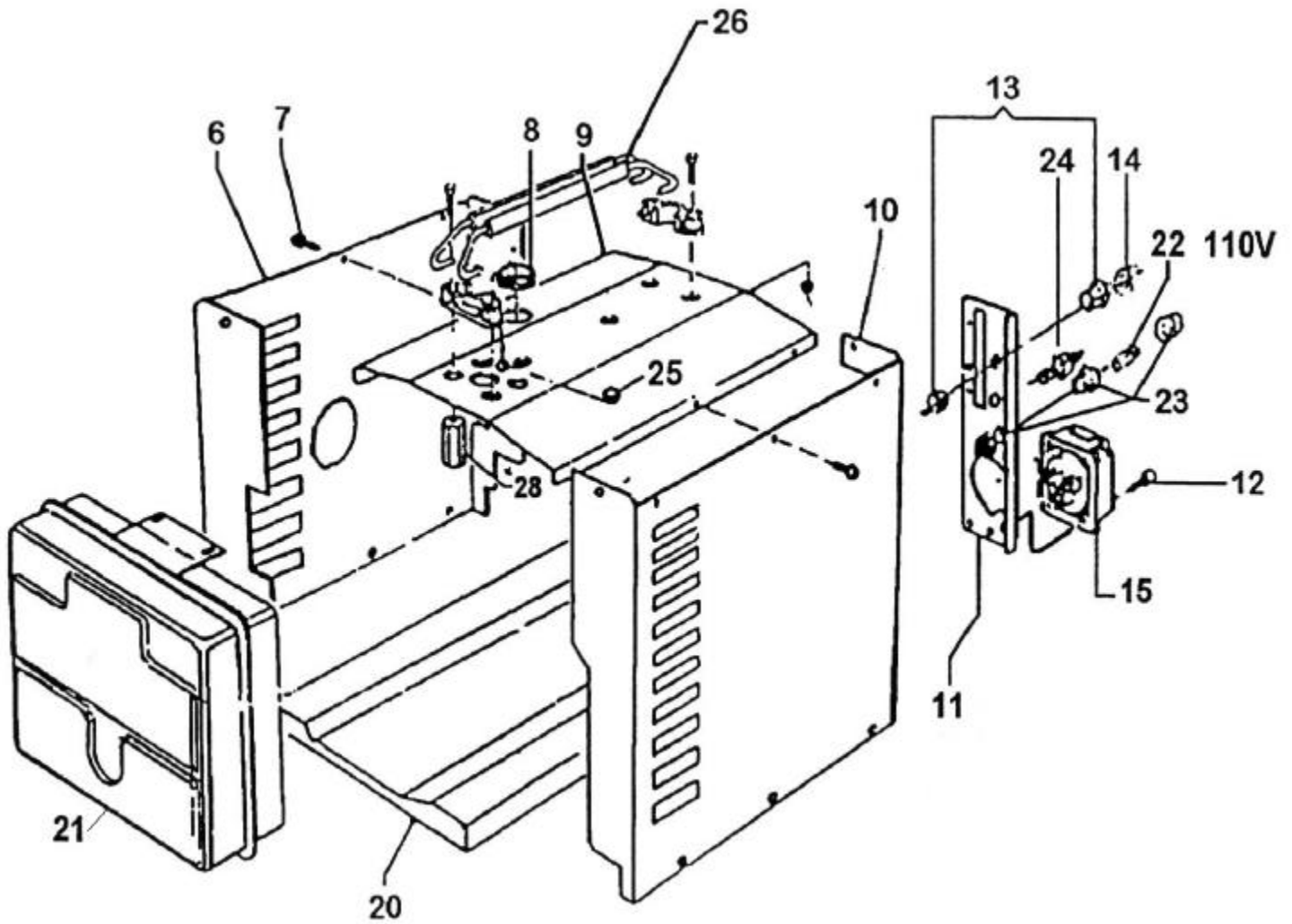


# MSG 201 S 50/60 Covers



REF	PART NUMBER	DESCRIPTION	PRICE	REF	PART NUMBER	DESCRIPTION	PRICE
06	201490503	COVER, FUEL TANK SIDE	\$ 42.11	15	101171120	SOCKET 115V. 15A	\$ 25.50
07	6018010	SCREW M 6 X 10	N/A				
08	1030050	GASKET	N/A	20	201491050	BASE	\$ 58.88
09	201490504	COVER	\$ 30.76	21	201302055	MUFFLER, EXHAUST	\$115.68
10	201490502	COVER, CONDENSER SIDE	\$ 26.59	22	1291090	FUSE 15A 110V.	\$ 2.39
11	201530505	HOLDER, SOCKET (USA)	N/A	23	103011320	FUSE HOLDER	\$ 5.24
12	6005020	SCREW M5 X 12	\$ .29	24	201497224	RED LED	\$ 2.50
				25	1031010	GASKET	\$ .46
13	101091830	PUSHBUTTON, GROUND	\$ 9.97	26	101301070	HANDLE	\$ 10.20
14	101091840	CAP	\$ 4.31	27	101302560	TANK CAP	\$ 4.89