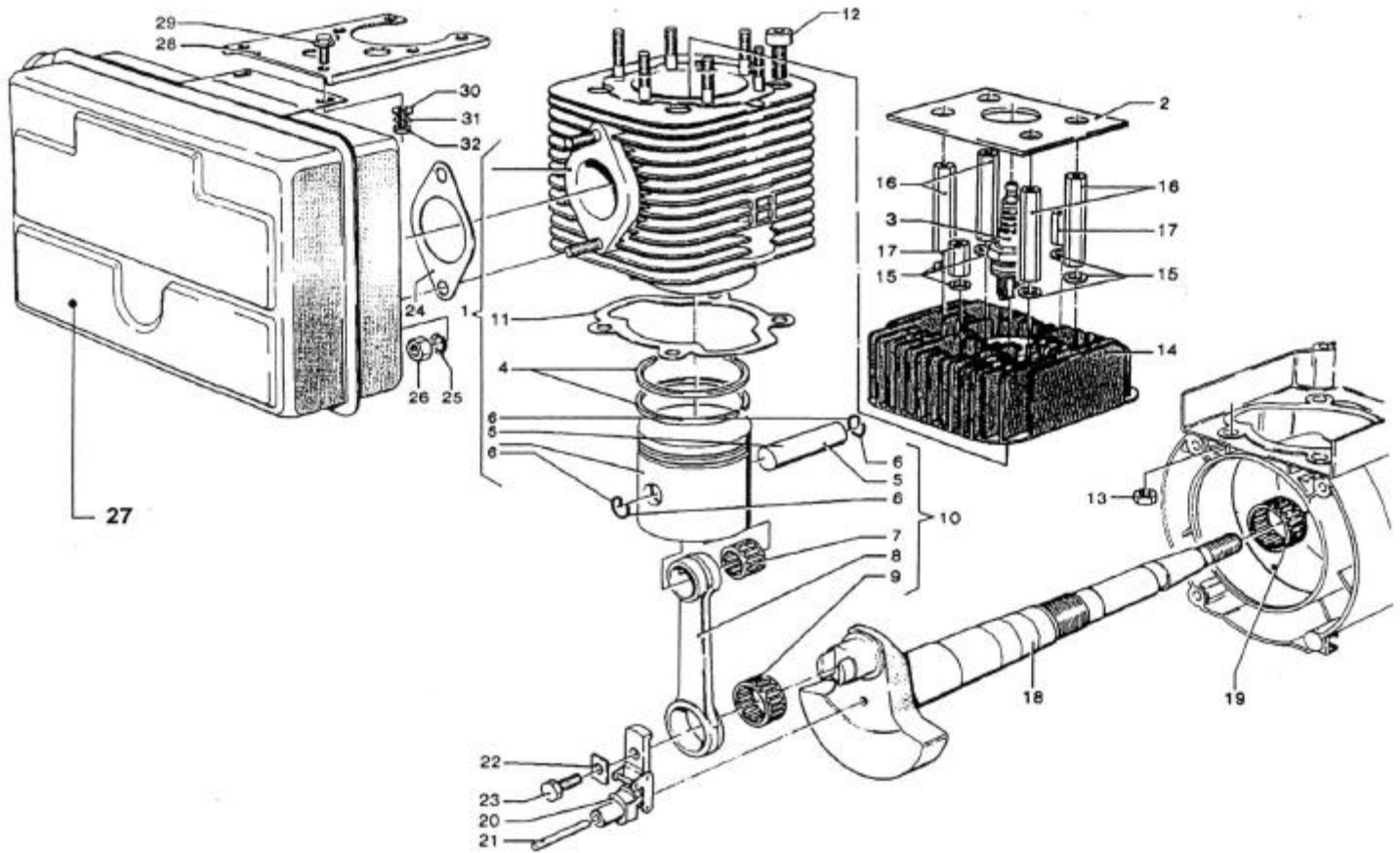


Main Engine Assembly



REF	PART NUMBER	DESCRIPTION	PRICE	REF	PART NUMBER	DESCRIPTION	PRICE
01	101040508	CYLINDER/ PISTON ASSM	\$296.57	17	101041540	SPACER	N/A
02	101043320	FELT, INSULATION	\$ 1.81	18	101091140	CRANKSHAFT	\$253.25
03	101043250	SPARK PLUG	\$ 3.48	19	1010030	BEARING	\$ 15.24
04	101041430	PISTON RING	\$ 12.14	20	101041700	CLAMP	N/A
05	101041420	PIN, GUDGEON	N/A	21	101042520	PIN	\$ 1.48
06	101041440	CIRCLIP	\$ 1.14	22	101041620	STUD BOLT	N/A
07	1010020	BEARING	\$ 15.24	23	6001040	SCREW	\$.18
08	101041390	CONNECTING ROD	\$ 58.93	24	101044660	GASKET	\$ 4.16
09	1010010	BEARING	\$ 17.08	25	6040030	WASHER	\$.38
10	101048200	CONNECTING ROD ASSM.	\$ 91.25	26	101091310	NUT	\$ 1.25
11	101041480	GASKET	\$ 5.84	27	201302055	MUFFLER, EXHAUST	\$115.68
12	6008070	SCREW	N/A	28	101044850	BRACKET	\$ 3.59
13	6022060	NUT	N/A	29	6005020	SCREW	\$.29
14	101041490	HEAD, ENGINE	\$ 32.57	30	6035030	WASHER	N/A
15	101041520	WASHER	N/A	31	6040010	WASHER	N/A
16	101041530	SPACER (AUS)	N/A	32	6022030	NUT	N/A