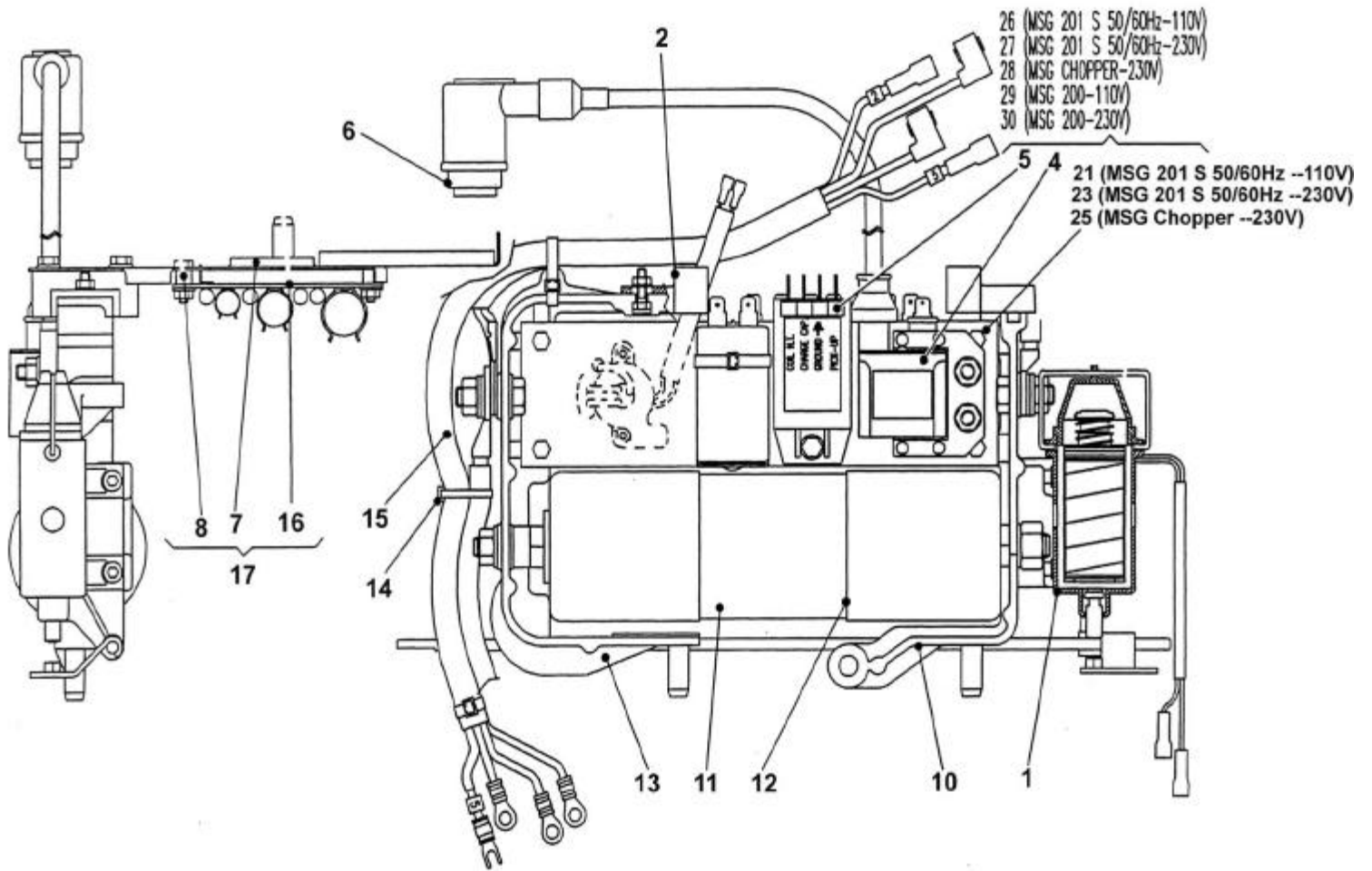


Wiring Harness & Electrical Components



REF	PART NUMBER	DESCRIPTION	PRICE	REF	PART NUMBER	DESCRIPTION	PRICE
01	101045600	SOLENOID	\$ 65.32	12	101201970	CAP, INSULATING	\$ 1.04
02	101091340	SPACING BLOCK	\$ 1.70	13	101091330	CONDUCTOR	\$ 8.27
03	101311200	P.C. BOARD (110V)	\$ 71.57	14	1239010	CLAMP	N/A
03	101301200	P.C. BOARD (230V)	\$ 94.50	15	201499592	CABLE	N/A
04	101301880	COIL, HIGH VOLT.	\$ 44.55	16	101301400	P.C.B., EXCITATION (MSG 200)	\$ 71.50
05	101301890	IGNITION, ELECT.	\$ 54.35	17	201499834	EXCITATION, ASSY. (MSG 201)	N/A
06	101174930	CAP, SPARK PLUG	\$ 13.28	18	201509670	P.C. BOARD, ASSY. (110V)	\$195.69
07	101301080	FRAME	N/A	18	201499670	P.C. BOARD, ASSY. (230V)	N/A
08	101201730	SPACER	N/A	19	201499871	CURRENT SENSOR	\$ 23.62
10	101091320	CONDUCTOR	\$ 15.00	20	101311380	SCRATCH START CONDENSER	\$ 15.00
11	101044610	CONDENSER 80 uF	\$105.04				