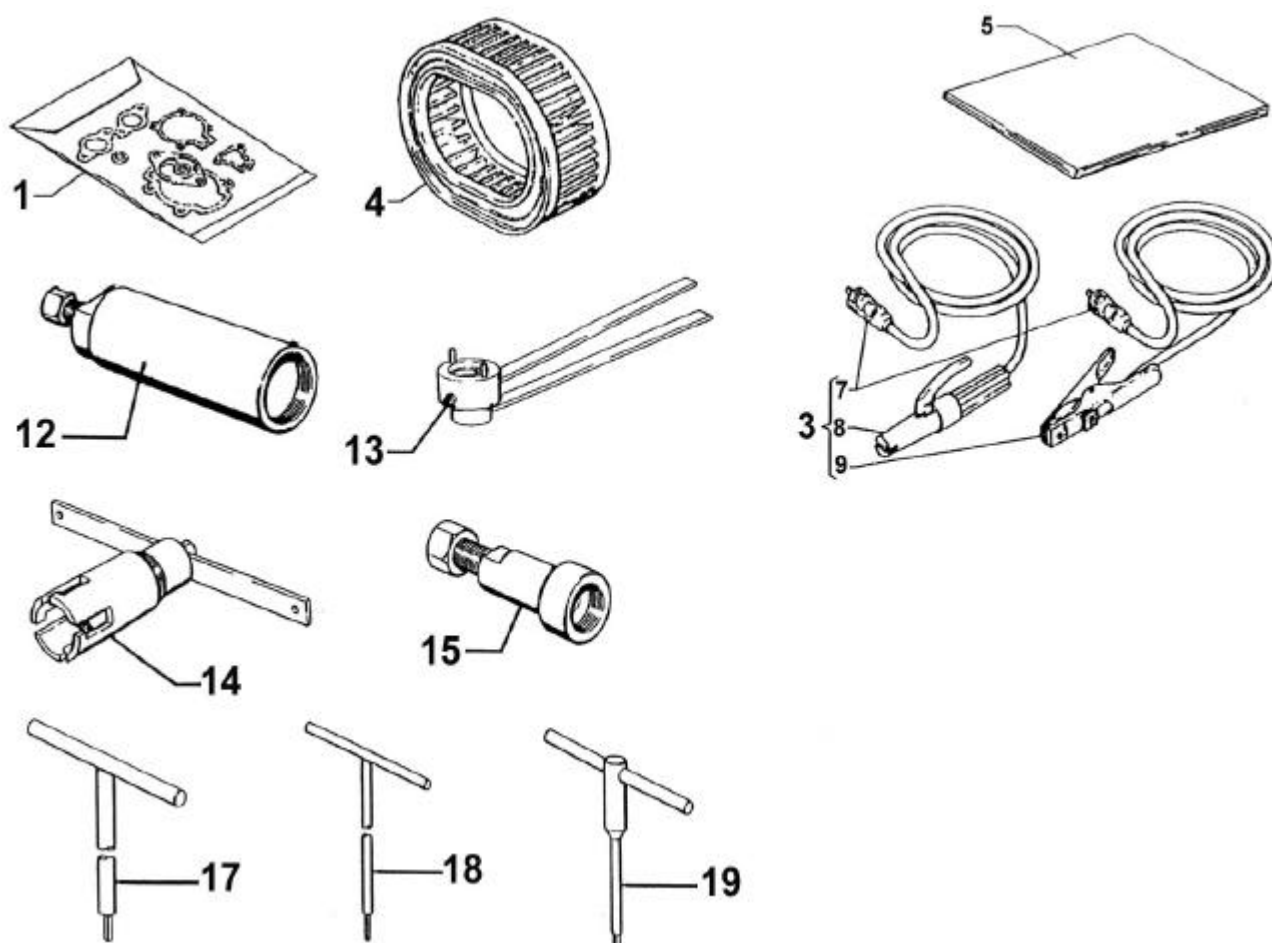


Accessories & Tools



REF	PART NUMBERS	DESCRIPTION	PRICE	REF	PART NUMBERS	DESCRIPTION	PRICE
01	101040537	Set, Gaskets	\$25.10	11	000370040	Bench tool for complete assem.	N/A
03	101132100	Welding Cable Set	\$156.98	12	000373038	Puller for Rotor	\$92.12
03	101499190	Welding Cable Set (AUS)	N/A	13	000373039	Wrench for assy. Rotor Ring	\$153.75
04	101302430	Element, Air filter	\$13.53	14	000373037	Alternator Body Puller	\$441.99
05	201499003	Operating Manual	\$25.00	15	000373036	Flywheel Magneto Puller	\$52.00
07	101131550	Plugs, Cable	\$11.33	16	000370008	Wrench Blok Starter Hub	N/A
08	101045210	Electrode Holder	\$17.26	17	6887/F	6mm. Wrench	N/A
08	101499191	Electrode Holder (AUS)	N/A	18	6887/E	5mm. Wrench	N/A
09	101045220	Ground Clamp	\$12.19				